

# Set Sloping Column and Wall

## Set Sloping Column

When drawing actual projects, if you meet sloping elements, you can use this function.

1. Click **Set Sloping Column** or select the column entity that you want to slope.
2. Select the column entity that you want to slope or Click **Set Sloping Column**.
3. In the **Set Sloping Column** window, click By slope angle, By slope size, Orthogonal Offset or Polar Offset.

### By slope angle

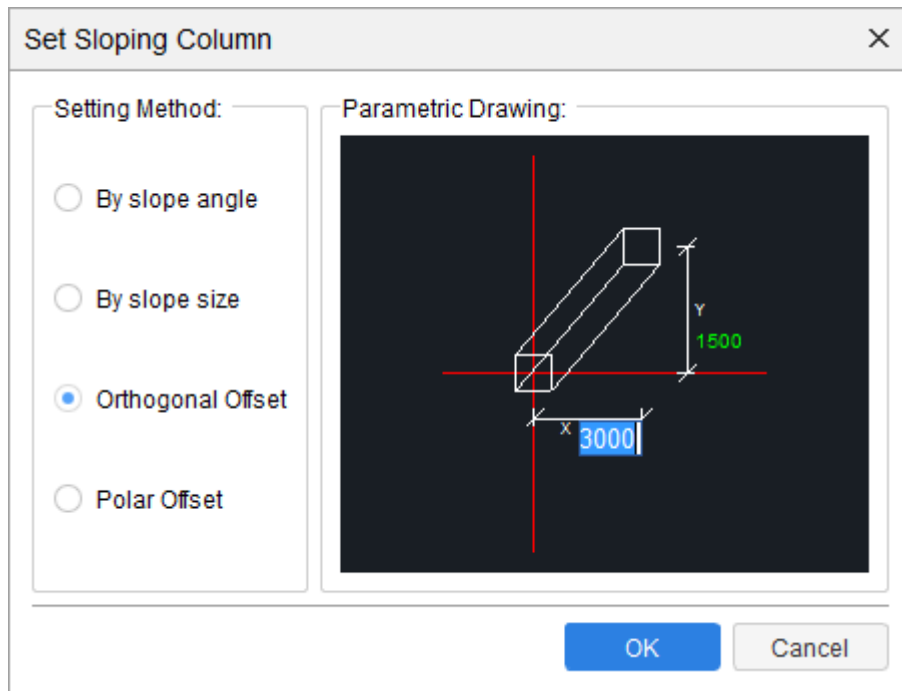
1. a represents the angle between column and the horizontal plane; b represents the angle between the sloping direction and the X axis.

### By slope size

2. a represents the offset distance of the center of column top relative to the center of column soffit; b represents the angle between the sloping direction and the X axis.

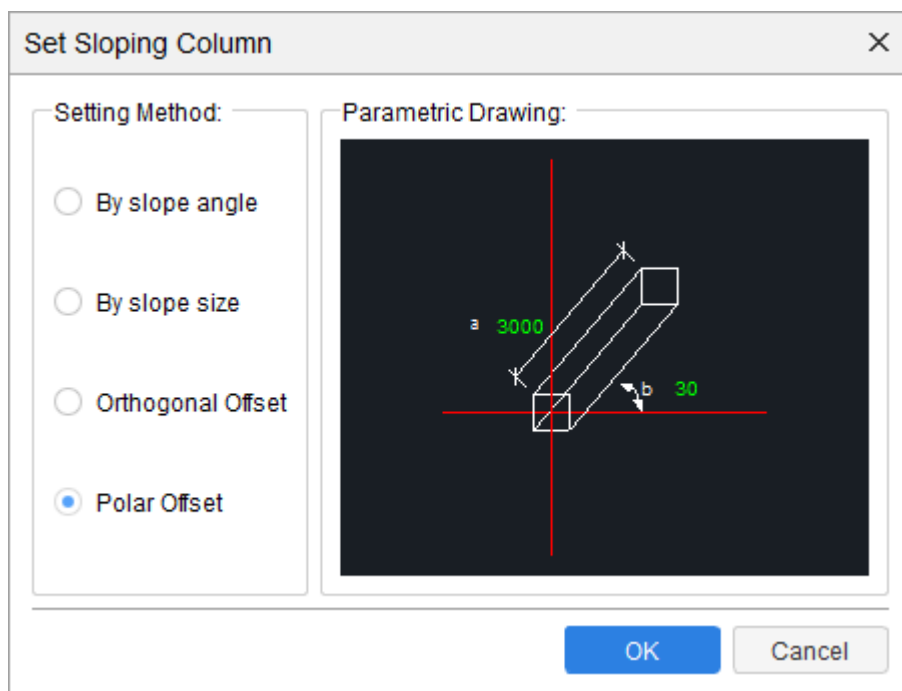
### Orthogonal Offset

## Cubicost- TAS C



X represents the offset distance of the center of column top relative to the center of column soffit; Y represents the horizontal offset distance of the center of column top relative to the center of column soffit.

Polar Offset



The value represents the offset distance of the center of column top relative to the center of column soffit.



### Function Application

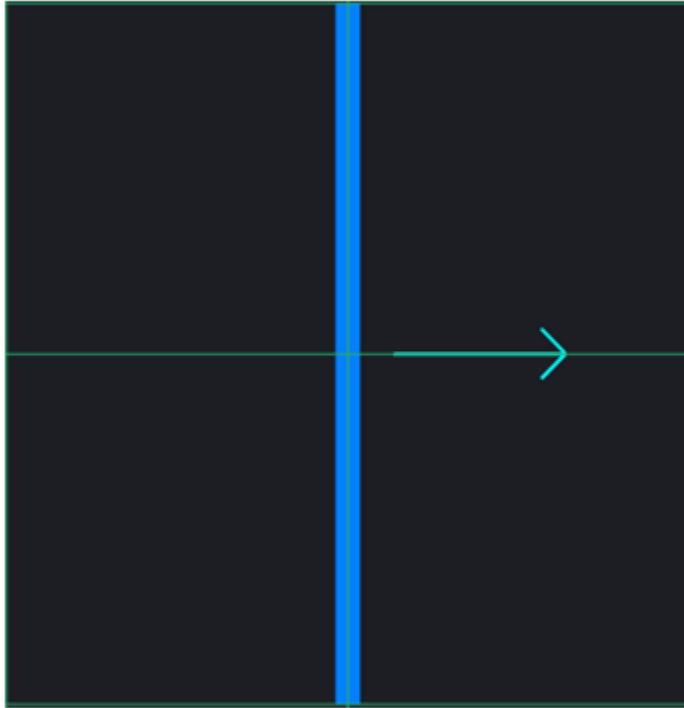
**Set Sloping Column** is not available for stiffeners.

## Set Sloping Wall

The Procedure of setting sloping wall is similar to the procedure of setting sloping column.

1. Click **Set Sloping Wall** and then select the entities that you want to slop, or select the entities first and then click Set Sloping Wall.
2. In the Set Sloping Wall window, click By slope angle or By slope size, enter the slope angle or size as needed, and then click **OK**.

3. In the drawing area, specify the sloping direction by using the arrow, and then click to confirm.



### Function Application

**Set Sloping Wall** is not available for arbitrary walls and parametric walls.

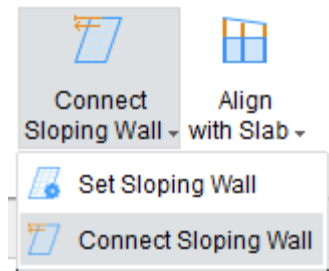
### Connect Sloping Wall

After setting sloping walls, if you find that there are gaps at the joining position between two sloping walls, you can use this function to connect them.

1. Click Connect Sloping Wall, and select the two sloping walls that you want to connect.

## Cubicost- TAS C

---



2. The sloping walls are connected automatically.



### Note

1. You can only connect two sloping walls, or a sloping wall and a straight wall.
2. You cannot connect arched walls.